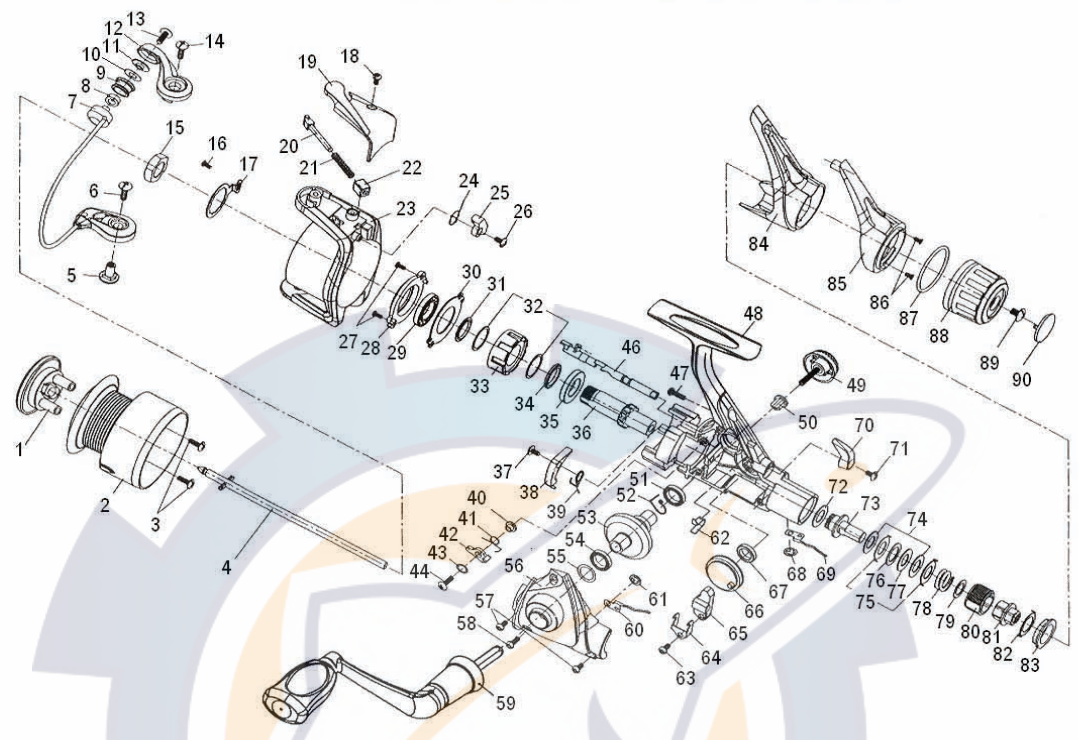


CROSSFIRE 1550-3iR



| Key No. | Parts No. | Parts Name | Key No. | Parts No. | Parts Name |
|---------|-----------|--------------------------|---------|-----------|-------------------------|
| 1 | W45-9701 | FRONT DRAG KNOB | 47 | W38-4201 | REAR COVER A SCREW |
| 1-3 | W55-7801 | SPOOL | 48 | W55-8101 | BODY |
| 1-3 | W55-7901 | SPOOL (EXTRA) | 49 | W44-0701 | HANDLE SCREW |
| 4 | W45-6301 | MAIN SHAFT | 50 | W34-4701 | HANDLE COLLAR |
| 5 | W34-0201 | BAIL HOLDER NUT | 51 | W34-3601 | BALL BEARING B |
| 6 | W45-6401 | BAIL HOLDER SCREW | 52 | W34-3901 | A/R PAWL SPRING C |
| 7 | W43-9501 | BAIL | 53 | W34-3801 | DRIVE GEAR |
| 8 | W38-0551 | LINE ROLLER BUSHING | 54 | W34-3601 | BALL BEARING C |
| 9 | W33-8101 | LINE ROLLER | 55 | W36-3701 | DRIVE GEAR COLLAR |
| 10 | W45-6601 | LINE ROLLER WASHER | 56 | W55-8201 | SIDE COVER |
| 11 | W33-8201 | LINE ROLLER COLLAR | 57 | W38-5301 | SIDE COVER SCREW A |
| 12 | W51-3701 | BAIL ARM | 58 | W45-8301 | SIDE COVER SCREW B |
| 13 | W38-0901 | LINE ROLLER SCREW | 59 | W51-4401 | HANDLE |
| 14 | W33-8401 | BAIL ARM SCREW | 60 | W38-5101 | CLICK LEAF SPRING A |
| 15 | W38-1101 | ROTOR NUT | 61, 68 | W38-5001 | CLICK LEAF SPRING RET |
| 16 | W33-9101 | ROTOR NUT HOLD PLT SCREW | 62 | W44-1101 | A/R CAM SPRING |
| 17 | W33-9501 | ROTOR NUT HOLD PLT | 63 | W38-5501 | OSC SLIDER SCREW |
| 18 | W45-7001 | BAIL SPRING COVER SCREW | 64 | W38-5601 | OSC SLIDER RET |
| 19 | W34-0301 | BAIL SPRING COVER | 65 | W45-8501 | OSC SLIDER |
| 20 | W45-7101 | BAIL SPRING SHAFT | 66 | W45-8601 | OSC GEAR |
| 21 | W45-7201 | BAIL SPRING | 67 | W45-8701 | OSC GEAR COLLAR |
| 22 | W33-8901 | BAIL SPRING HOLDER | 69 | W38-5901 | CLICK LEAF SPRING B |
| 23 | W55-8001 | ROTOR | 70 | W34-2401 | A/R LEVER |
| 24 | W34-0501 | BAIL TRIP LEVER SPRING | 71 | W38-6101 | A/R LEVER SCREW |
| 25 | W34-0601 | BAIL TRIP LEVER | 72 | W45-8801 | DRAG METAL WASHER |
| 26 | W38-2801 | BAIL TRIP LEVER SCREW | 73 | W45-8901 | DRAG METAL A |
| 27 | W45-7401 | BEARING RET A SCREW | 74 | W45-9001 | DRAG WASHER A |
| 28 | W34-0901 | BEARING RET A | 75 | W38-6501 | EARED WASHER |
| 29 | W34-1701 | BALL BEARING A | 76 | W38-6601 | DRAG WASHER B |
| 30 | W34-1101 | BEARING RET B | 77 | W38-6701 | KEY WASHER |
| 31 | W34-1201 | BEARING RET WASHER | 78 | W38-6801 | DRAG COIL SPRING |
| 33 | W34-1401 | ROLLER CLUTCH | 79 | W45-9101 | DRAG COIL SPRING WASHER |
| 34 | W45-7501 | ROLLER CLUTCH COLLAR | 80 | W38-7001 | DRAG SCREW |
| 35 | W46-1401 | PINION GEAR COLLAR | 81 | W38-7101 | DRAG METAL B |
| 36 | W46-8901 | PINION GEAR | 82 | W38-7201 | DRAG COLLAR |
| 37 | W38-3801 | A/R PAWL SCREW | 83 | W45-9201 | DRAG COVER |
| 38 | W34-4501 | A/R PAWL A | 84 | W46-2001 | REAR COVER A |
| 39 | W34-4401 | A/R PAWL SPRING A | 85 | W47-3101 | REAR COVER B |
| 40 | W45-7601 | A/R PAWL COLLAR | 86 | W59-5010 | REAR COVER B SCREW |
| 41 | W45-7701 | A/R PAWL SPRING B | 87 | W38-7701 | O RING |
| 42 | W45-7801 | A/R PAWL B | 88 | W45-9601 | DRAG KNOB |
| 43 | W34-4101 | A/R PAWL COLLAR | 89 | W38-7901 | DRAG KNOB SCREW |
| 44 | W34-4301 | A/R PAWL SCREW | 90 | W38-8001 | DRAG KNOB SCREW CAP |
| 46 | W45-7901 | A/R CAM | | | |